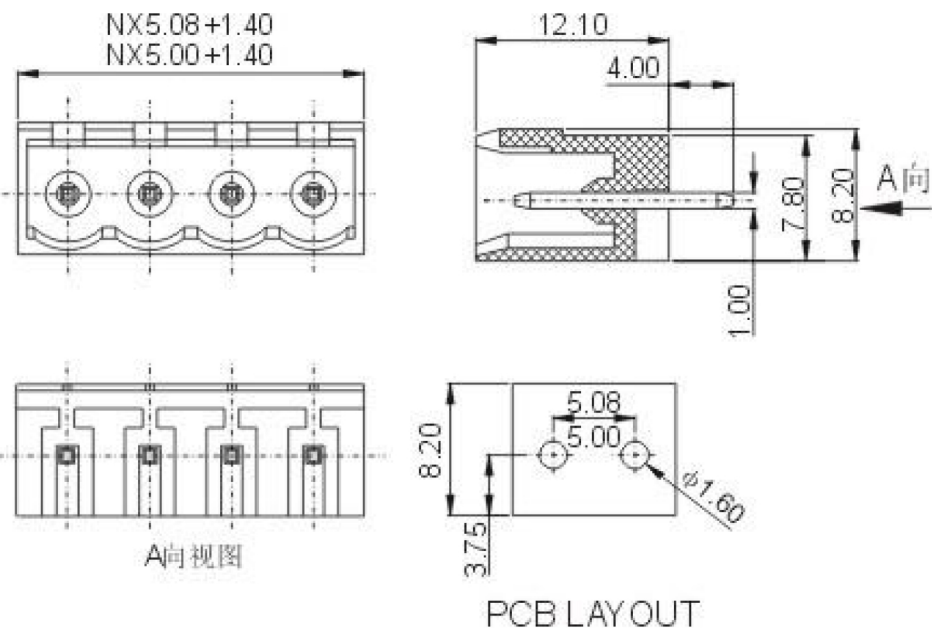
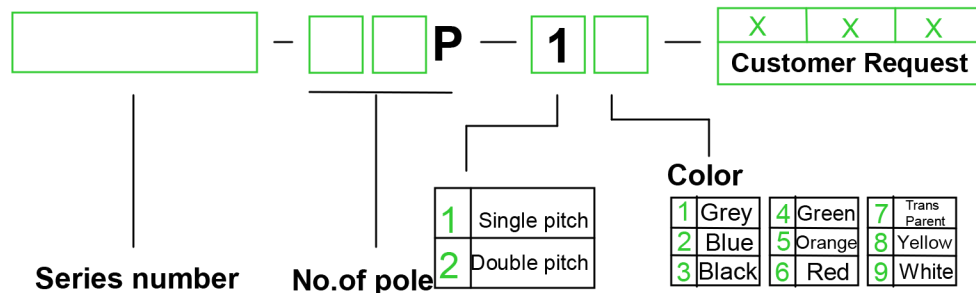


APPROVAL		
Electrical		
Standard	UL	IEC
Rated voltage	300V	320V
Rated current	15A	20A
Withstanding voltage	AC2500V/1Min	
Mechanical		
Ambient temperature	-40℃~+105℃	
Dimensions		
Pitch	5.0mm(.197") 5.08mm(.200")	
Poles	2P-24P	
Material		
Housing	PA66,UL94 V-0	
Pin header	Brass,Tin-plated	



HOW TO ORDER :



	China · Kang Wei electronics co., LTD
	NAME 2EDGVC-5.0 2EDGVC-5.08