
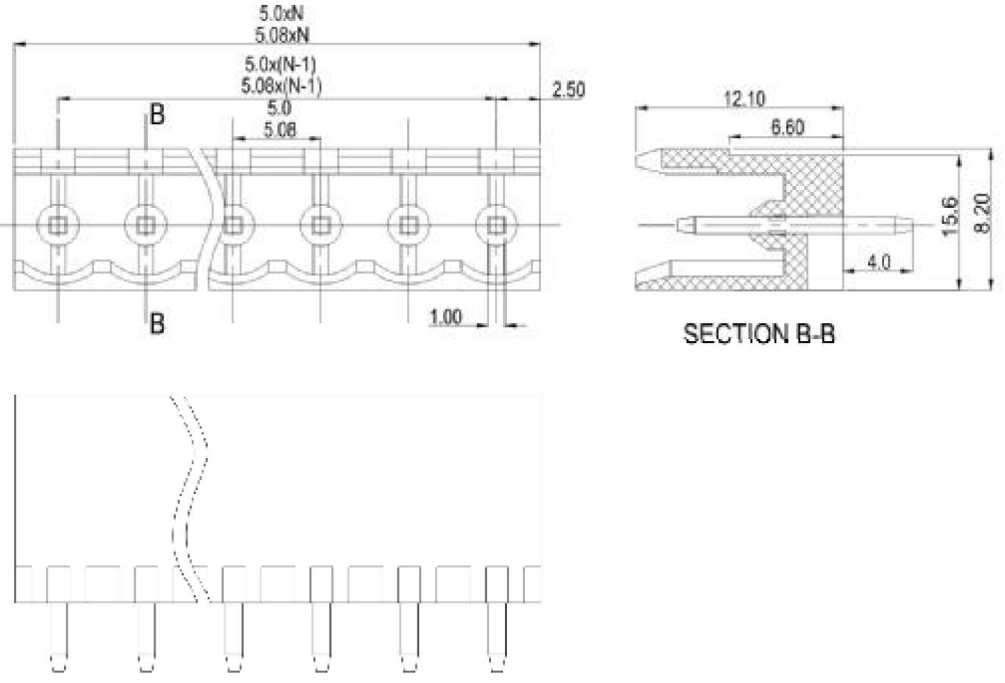


<b>APPROVAL</b>		
<b>Electrical</b>		
Standard	<b>UL</b>	<b>IEC</b>
Rated voltage	300V	320V
Rated current	15A	20A
Withstanding voltage	AC2500V/1Min	
<b>Mechanical</b>		
Ambient temperature	-40°C~+105 °C	
<b>Dimensions</b>		
Pitch	5.0mm(.197") 5.08mm(.200" )	
Poles	2P-24P	
<b>Material</b>		
Housing	PA66,UL94 V-0	
Pin header	Brass,Tin-plated	



**HOW TO ORDER :**

