

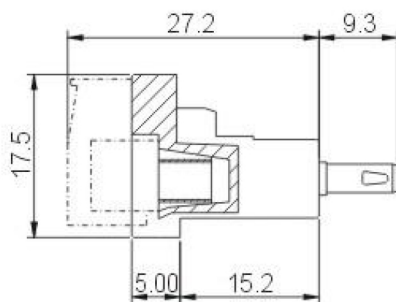
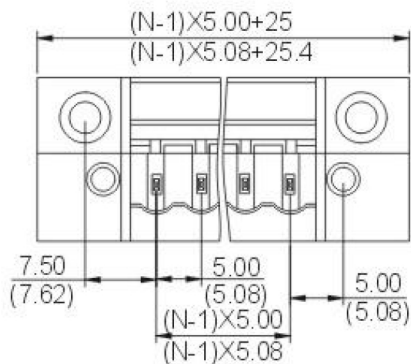


Approval		
Electrical		
Standard	UL	IEC
Rated voltage	300V	320V
Rated current	15A	20A
With standing voltage	AC2500V/1Min	
Mechanical		
Ambient temperature	-40℃~+105℃	
Dimensions		
Pitch	5.0(.197") 5.08mm(.200")	
Poles	2P-22P	
Material		
Housing	PA66,UL94V-0	
Pin header	Brass, Ni plated	
Nut	M2.5,Brass	



HOW TO ORDER :

- **P** - -

X	X	X
Customer Request		

Series No.

No. of pole

Color

1	Gray	4	Green	7	Transp-arent
2	Blue	5	Orange	8	Yellow
3	Black	6	Red	9	white

mm
(INCH)



China · Kang Wei electronics co., LTD



NAME

2CDGB-5.0, 2CDGB-5.08