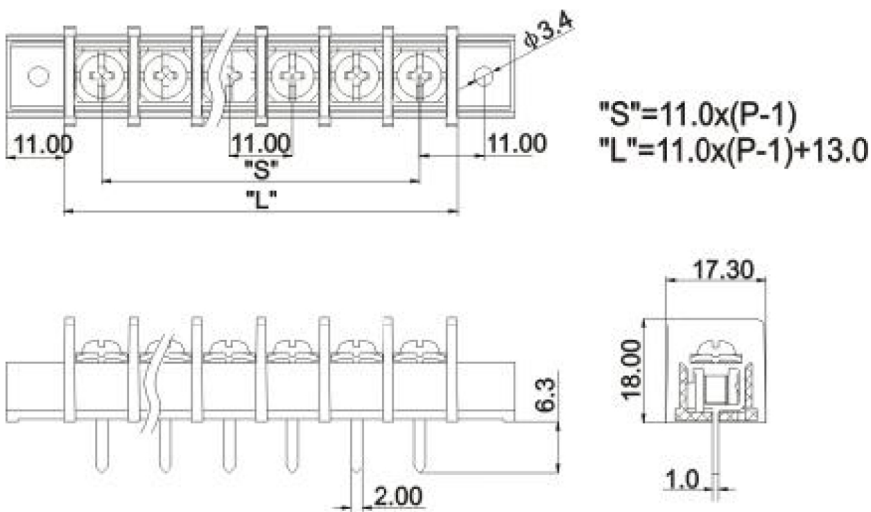
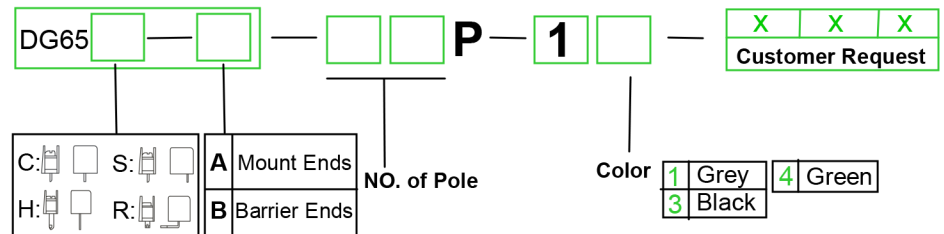




| Approval | | | |
|-----------------------|--|-----------------------|--------------------|
| Electrical | | UL | IEC |
| Standard | | 300V | 450V |
| Rated voltage | | 20A | 32A |
| Rated current | | 22-12AWG | 4.0mm ² |
| Wire range | | AC2000V/1Min | |
| With standing voltage | | 500MΩ / DC500V | |
| Insulation Resistance | | 1.2N.m 10.6Lb.in | |
| Mechanical | | -40℃~+105℃ | |
| Max. Torque Value | | | |
| Ambient temperature | | | |
| Dimensions | | 11.0mm (.433") | |
| Pitch | | 2P-20P | |
| Poles | | | |
| Material | | PA66,UL94V-0 | |
| Housing | | Brass,0.8t,Tin Plated | |
| Terminal | | Steel,M4 Ni Plated | |
| Screws | | | |



HOW TO ORDER :



| Poles | 2 | 3 | 4 | 5 | 6 | 7 | 8 | 9 | 10 | 11 | 12 | 13 | 14 | 15 |
|-------|--------|--------|--------|--------|--------|--------|--------|--------|--------|--------|--------|--------|--------|--------|
| L(mm) | 24.00 | 35.00 | 46.00 | 57.00 | 68.00 | 79.00 | 90.00 | 101.00 | 112.00 | 123.00 | 134.00 | 145.00 | 156.00 | 167.00 |
| S(mm) | 11.00 | 22.00 | 33.00 | 44.00 | 55.00 | 66.00 | 77.00 | 88.00 | 99.00 | 110.00 | 121.00 | 132.00 | 143.00 | 154.00 |
| Poles | 16 | 17 | 18 | 19 | 20 | 21 | 22 | 23 | 24 | 25 | 26 | 27 | 28 | |
| L(mm) | 178.00 | 189.00 | 200.00 | 211.00 | 222.00 | 233.00 | 244.00 | 255.00 | 266.00 | 277.00 | 288.00 | | | |
| S(mm) | 176.00 | 187.00 | 198.00 | 209.00 | 220.00 | 231.00 | 242.00 | 253.00 | 264.00 | 275.00 | | | | |

| | |
|--|---------------------------------------|
| | China · Kang Wei electronics co., LTD |
| | NAME 65C-A |