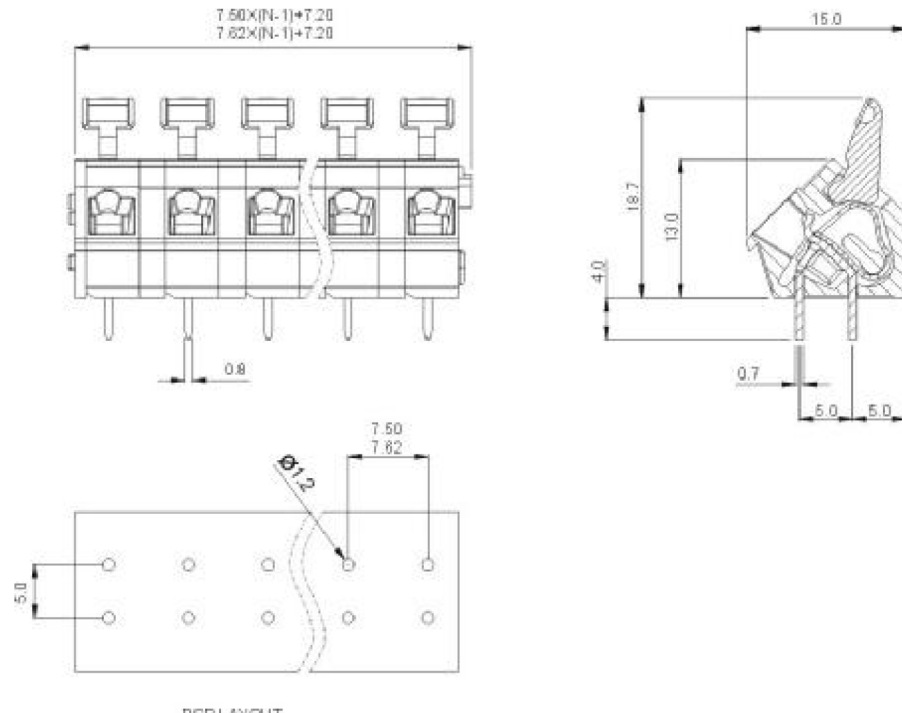


UL US VDE CE

| | | |
|----------------------|-----------------------------|------------------------|
| Approval | UL US VDE | |
| Electrical | | |
| Standard | UL | IEC |
| Rated voltage | 300V | 750V |
| Rated current | 15A | 17A |
| Wire range | 28-12AWG | 0.2-2.5mm ² |
| Withstanding voltage | AC3000V/1Min | |
| Mechanical | | |
| Ambient temperature | -40°C~+105 °C | |
| Strip length | 5-6mm | |
| Dimensions | | |
| Pitch | 7.5mm(.295") 7.62 (.300") | |
| Poles | 1P-XXP | |
| Material | | |
| Housing | PA66,UL94V-0 | |
| Pin header | Phosphor bronze,Tin plated | |
| Wire guard | Stainless steel | |



HOW TO ORDER :

- P - -

| | | |
|------------------|---|---|
| X | X | X |
| Customer Request | | |

Series number:
 No. of pole:

| | |
|---|--------------|
| 1 | Single pitch |
| 2 | Double pitch |

Color:

| | | | | | |
|---|-------|---|--------|---|--------------|
| 1 | Grey | 4 | Green | 7 | Trans Parent |
| 2 | Blue | 5 | Orange | 8 | Yellow |
| 3 | Black | 6 | Red | 9 | White |

| | |
|---|---|
|  mm (INCH) |  China · Kang Wei electronics co., LTD |
|  THIRDRANGLE PROJECTION | NAME 243-7.5, _ _ 243-7.62 |