

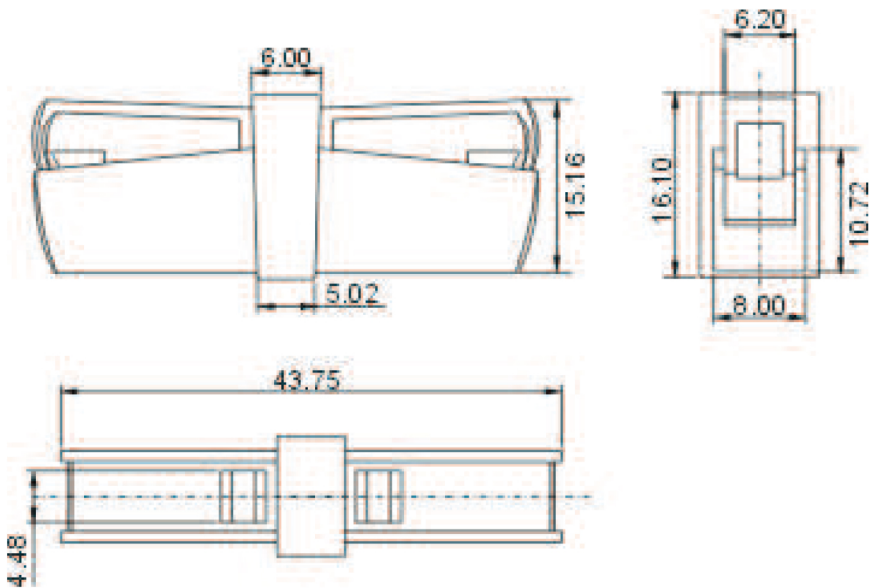
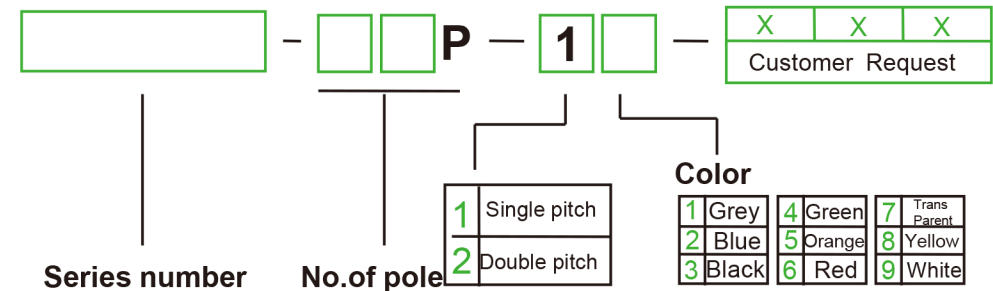


Approval	 	
Electrical		
Standard	UL	IEC
Rated voltage	300V	450V
Rated current	20A	24A
Wire range	22-12AWG	0.2-2.5mm ²
Withstanding voltage	AC2500V/1Min	
Mechanical		
Ambient temperature	-40°C~+105 °C	
Strip length	9-11mm	
Dimensions		
Pitch	8.0mm(.315")	
Poles	1P	
Material		
Housing	PA66,UL94V-0	
Pin header	copper	
Wire guard	Stainless steel	



HOW TO ORDER :



	 China · Kang Wei electronics co., LTD
	NAME KV224-201