

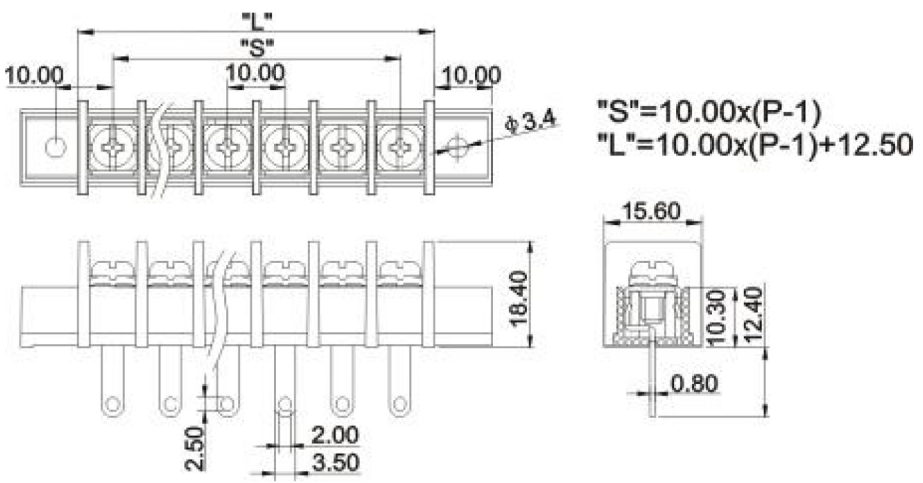


China · Kang Wei electronics co., LTD

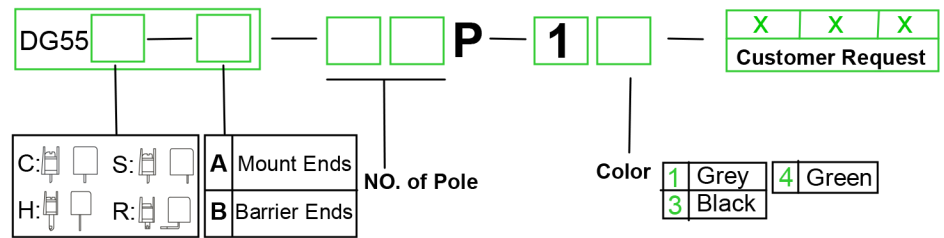
Product Specification



Approval	UL US CE	
Electrical	UL	IEC
Standard	300V	450V
Rated voltage	20A	32A
Rated current	22-12AWG	4.0mm ²
Wire range	AC2000V/1Min	
With standing voltage	500MΩ /DC500V	
Insulation Resistance	Mechanical	
Mechanical	Max. Torque Value 1.2N.m 10.6Lb.in	
Max. Torque Value	Ambient temperature -40℃~+105℃	
Ambient temperature	Dimensions	
Dimensions	Pitch 10.0mm(.394")	
Pitch	Poles 2P-24P	
Poles	Material	
Material	Housing PA66,UL94V-0	
Housing	Terminal Brass,0.8t,Tin Plated	
Terminal	Screws Steel,M4 Ni Plated	
Screws		



HOW TO ORDER :



Poles	2	3	4	5	6	7	8	9	10	11	12	13	14	15
L(mm)	22.50	32.50	42.50	52.50	62.50	72.50	82.50	92.50	102.50	112.50	122.50	132.50	142.50	152.50
S(mm)	10.00	20.00	30.00	40.00	50.00	60.00	70.00	80.00	90.00	100.00	110.00	120.00	130.00	140.00
Poles	16	17	18	19	20	21	22	23	24	25	26	27	28	
L(mm)	162.50	172.50	182.50	192.50	202.50	212.50	222.50	232.50	242.50	252.50	262.50			
S(mm)	150.00	160.00	170.00	180.00	190.00	200.00	210.00	220.00	230.00	240.00	250.00			

	China · Kang Wei electronics co., LTD
 THIRD ANGLE PROJECTION	NAME 55H-A