

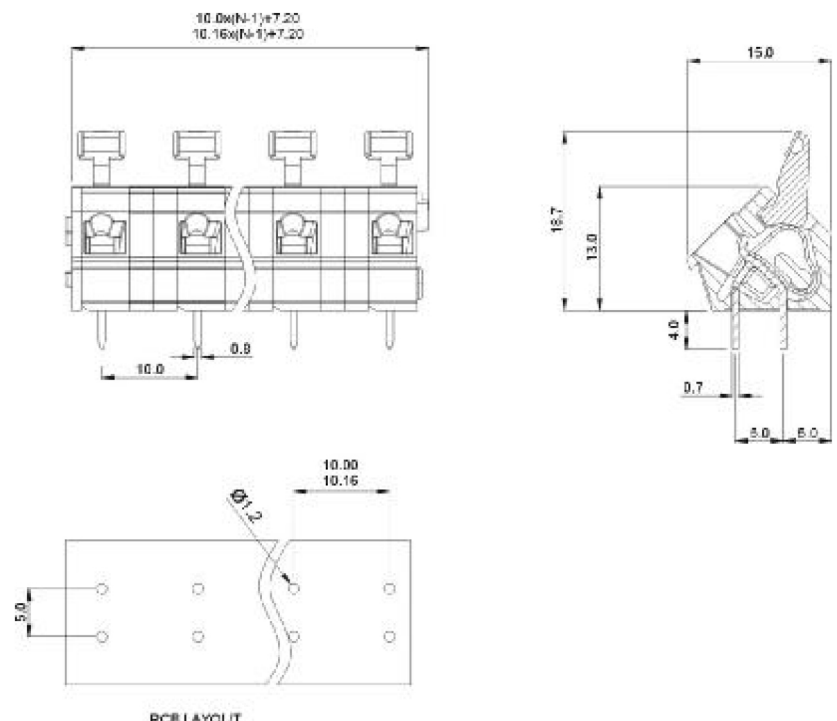
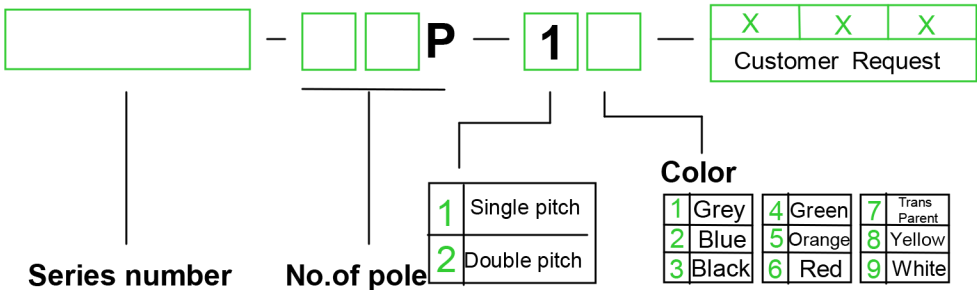


| | | |
|----------------------|---|------------------------|
| Approval |   | |
| Electrical | | |
| Standard | UL | IEC |
| Rated voltage | 300V | 1000V |
| Rated current | 15A | 17A |
| Wire range | 28-12AWG | 0.2-2.5mm ² |
| Withstanding voltage | AC3500V/1Min | |
| Mechanical | | |
| Ambient temperature | -40°C~+105 °C | |
| Strip length | 5-6mm | |
| Dimensions | | |
| Pitch | 10.0mm(.394") 10.16 (.400") | |
| Poles | 1P-XXP | |
| Material | | |
| Housing | PA66,UL94V-0 | |
| Pin header | Phosphor bronze,Tin-plated | |
| Wire guard | Stainless steel | |

HOW TO ORDER :



| | |
|---|--|
|  |  China · Kang Wei electronics co., LTD |
|  THIRD ANGLE PROJECTION | NAME _ 243-10.0, _ 243-10.16 |