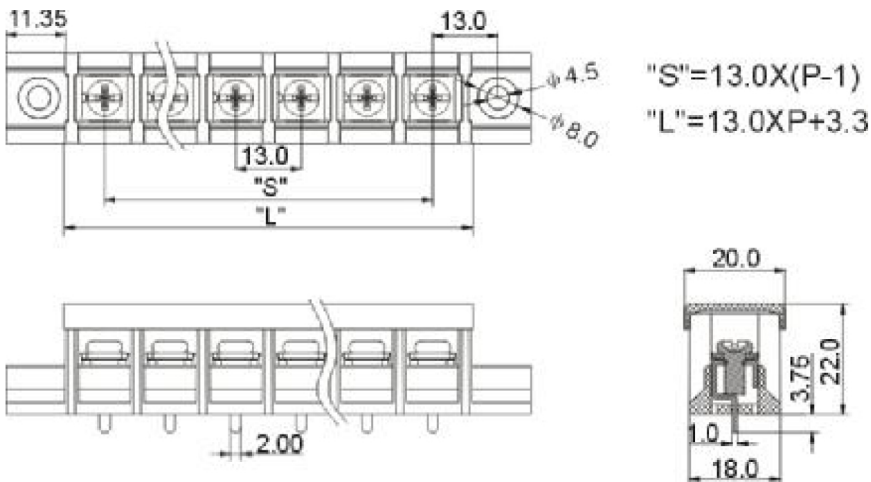
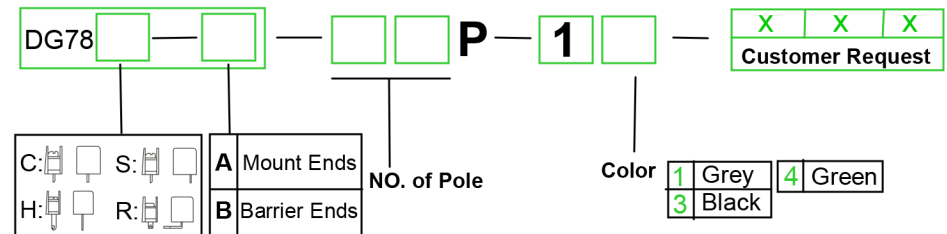




Approval		
Electrical	UL	IEC
Standard	600V	750V
Rated voltage	40A	41A
Rated current	18-10AWG	6.0mm ²
Wire range	AC3000V/1Min	
With standing voltage	500MΩ /DC500V	
Insulation Resistance	Mechanical	
Mechanical	Max. Torque Value 1.2N.m 10.6Lb.in	
Ambient temperature	-40℃~+105℃	
Dimensions	Pitch 13.0mm(.512")	
Poles	2P-18P	
Material	Housing PA66+23%GF,UL94V-0	
Terminal	Brass,1.0t Tin plated	
Screws	Steel,M4 Ni plated	



HOW TO ORDER :



Poles	2	3	4	5	6	7	8	9	10	11	12	13	14	15
L(mm)	29.30	42.30	55.30	68.30	81.30	94.30	107.30	120.30	133.30	146.30	159.30	172.30	185.30	198.30
S(mm)	13.00	26.00	39.00	52.00	65.00	78.00	91.00	104.00	117.00	130.00	143.00	156.00	169.00	182.00
Poles	16	17	18	19	20	21	22	23	24	25	26	27	28	
L(mm)	211.30	224.30	237.30	250.30	263.30	276.30	289.30	302.30	315.30	328.30	341.30			
S(mm)	195.00	208.00	221.00	234.00	247.00	260.00	273.00	286.00	299.00	312.00	325.00			

	China · Kang Wei electronics co., LTD
	NAME 75GC-A