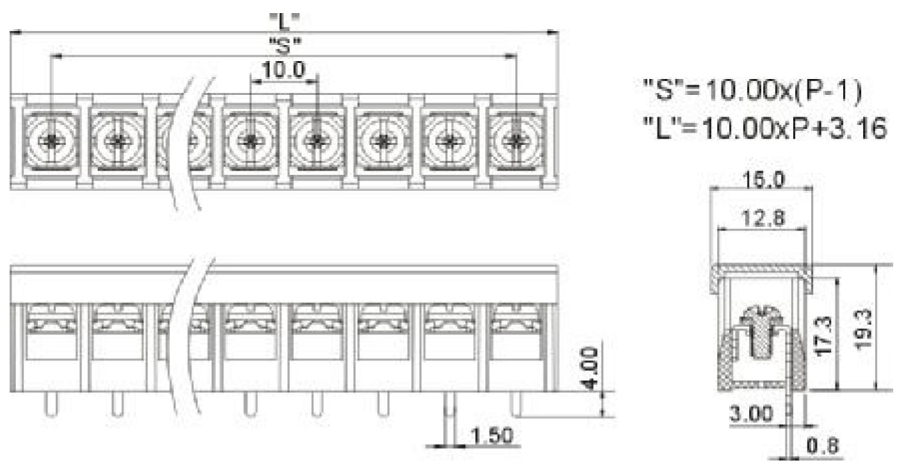
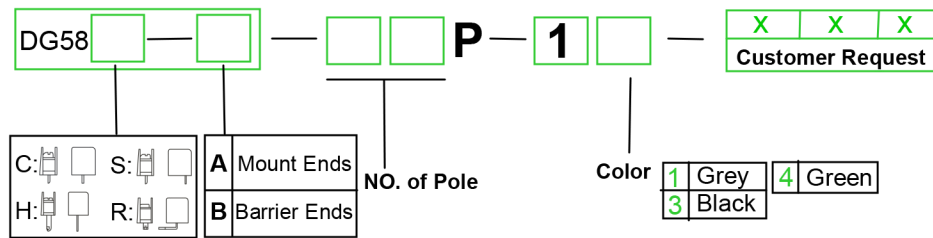


<b>Approval</b>	C  US	
<b>Electrical</b>	<b>UL</b>	<b>IEC</b>
Standard	300V	450V
Rated voltage	20A	32A
Rated current	22-12AWG	4.0mm <sup>2</sup>
Wire range	AC3000V/1Min	
With standing voltage	500MΩ /DC500V	
Insulation Resistance	<b>Mechanical</b>	
<b>Mechanical</b>	Max. Torque Value 1.2N.m 10.6Lb.in	
Max. Torque Value	Ambient temperature -40℃~+105℃	
Ambient temperature	<b>Dimensions</b>	
<b>Dimensions</b>	Pitch 10.0mm (.394")	
Pitch	Poles 2P-22P	
Poles	<b>Material</b>	
<b>Material</b>	Housing PA66+23%GF,UL94V-0	
Housing	Terminal Brass,0.8t Tin plated	
Terminal	Screws Steel,M4 Ni plated	
Screws		



### HOW TO ORDER :



Poles	2	3	4	5	6	7	8	9	10	11	12	13	14	15
L(mm)	23.16	33.16	43.16	53.16	63.16	73.16	83.16	93.16	103.16	113.16	123.16	133.16	143.16	153.16
S(mm)	10.00	20.00	30.00	40.00	50.00	60.00	70.00	80.00	90.00	100.00	110.00	120.00	130.00	140.00
Poles	16	17	18	19	20	21	22	23	24	25	26	27	28	
L(mm)	163.16	173.16	183.16	193.16	203.16	213.16	223.16	233.16	243.16	253.16	263.16			
S(mm)	150.00	160.00	170.00	180.00	190.00	200.00	210.00	220.00	230.00	240.00	250.00			

 mm (INCH)	 China · Kang Wei electronics co., LTD
 THROANGLE PROJECTION	<b>NAME</b> <b>55GS-B</b>