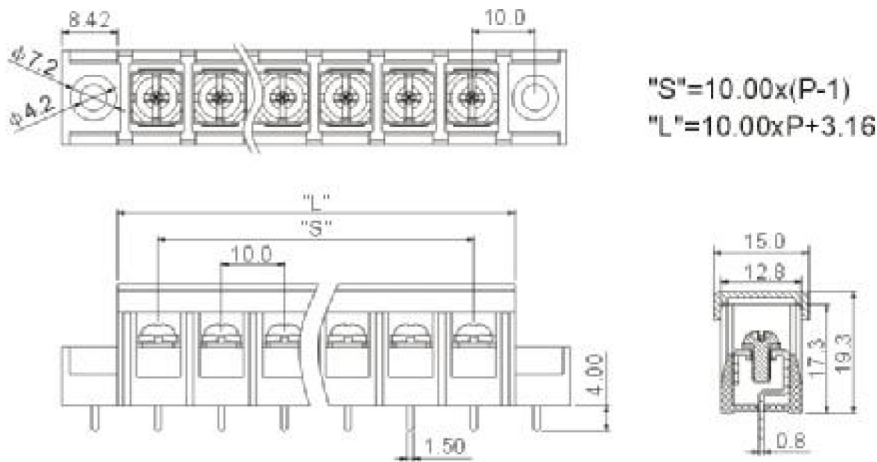
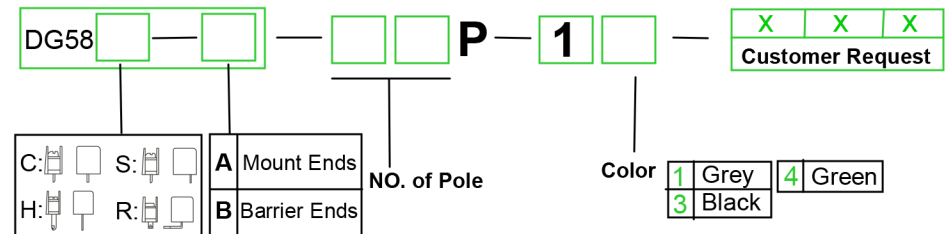




Approval		
Electrical	UL	IEC
Standard	300V	450V
Rated voltage	20A	32A
Rated current	22-12AWG	4.0mm ²
Wire range	AC3000V/1Min	
With standing voltage	500MΩ /DC500V	
Insulation Resistance	Mechanical	
	Max. Torque Value 1.2N.m 10.6Lb.in	
	Ambient temperature -40℃~+105℃	
	Dimensions	
Pitch	10.0mm (.394")	
Poles	2P-20P	
	Material	
Housing	PA66+23%GF,UL94V-0	
Terminal	Brass,0.8t Tin plated	
Screws	Steel,M4 Ni plated	



HOW TO ORDER :



Poles	2	3	4	5	6	7	8	9	10	11	12	13	14	15
L(mm)	23.16	33.16	43.16	53.16	63.16	73.16	83.16	93.16	103.16	113.16	123.16	133.16	143.16	153.16
S(mm)	10.00	20.00	30.00	40.00	50.00	60.00	70.00	80.00	90.00	100.00	110.00	120.00	130.00	140.00
Poles	16	17	18	19	20	21	22	23	24	25	26	27	28	
L(mm)	163.16	173.16	183.16	193.16	203.16	213.16	223.16	233.16	243.16	253.16	263.16			
S(mm)	150.00	160.00	170.00	180.00	190.00	200.00	210.00	220.00	230.00	240.00	250.00			

	China · Kang Wei electronics co., LTD
	NAME 55GC-A