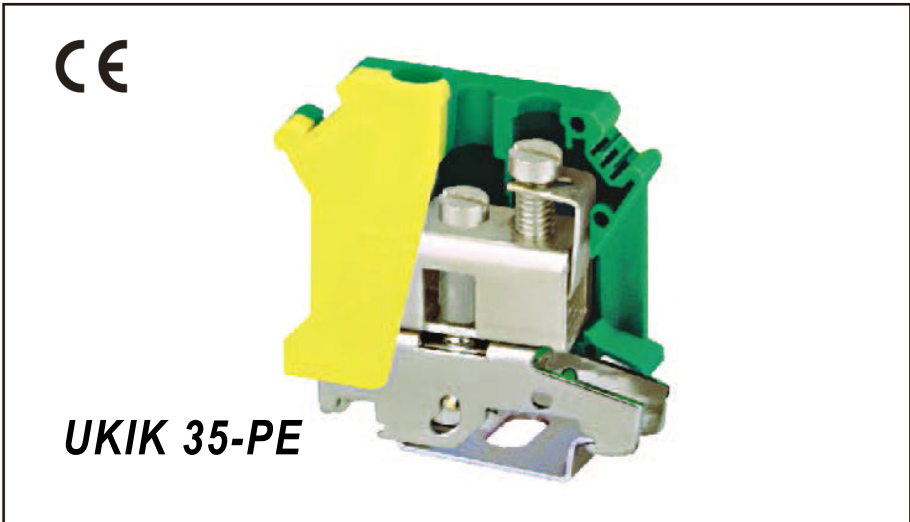
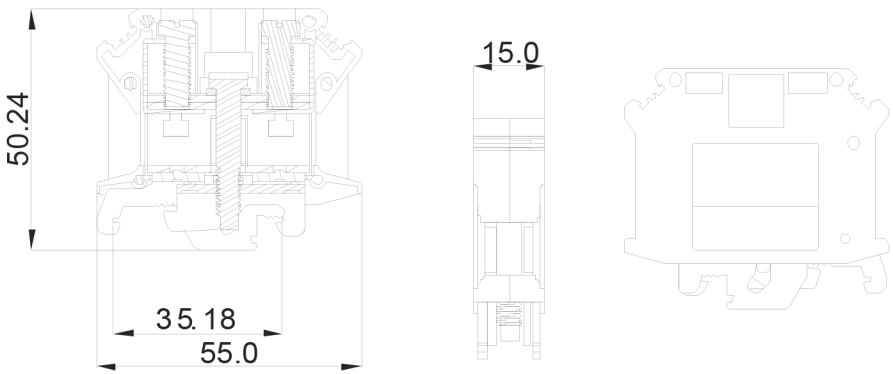




# China · Kang Wei electronics co., LTD Product Specification



<b>Approval</b>	<b>CE</b>	
<b>Electrical</b>	<b>UL</b>	<b>IEC</b>
Standard	-	-
Rated voltage	-	-
Rated current	-	-
Wire size	18-2AWG	0.75-35mm <sup>2</sup>
T/W/End plate	15.5/55/-mm	
Height(NS35:7.5/NS35:15/NS32)	51/58.5/56mm	
Rated surge voltage/Contamination class	8KV/3	
Stripping length	16mm	
Terminal screw: thread/torque	M6/2.5N.m/22Lb-in	
Mounting screw: thread/torque	M5/2.0N.m/17.5Lb-in	
Internal cylindrical gage	B9	
Insulating material/Inflammability class	PAV-0	
<b>Specification</b>	<b>Model</b>	<b>Pieces</b>
(1)Ground Terminal block		50
(2)Zack strip	ZB 10	



**HOW TO ORDER :**

- 
 

**P** - 
 1
 - 
 

X	X	X
Customer Request		

Series No.
No. of pole
Color

1	Gray	4	Green	7	Transp- arent
2	Blue	5	Orange	8	Yellow
3	Black	6	Red	9	white

mm (INCH)	China · Kang Wei electronics co., LTD
THROANGLE PROJECTION	<b>NAME</b> <span style="font-size: 1.2em;"><b>UKIK 35-PE</b></span>