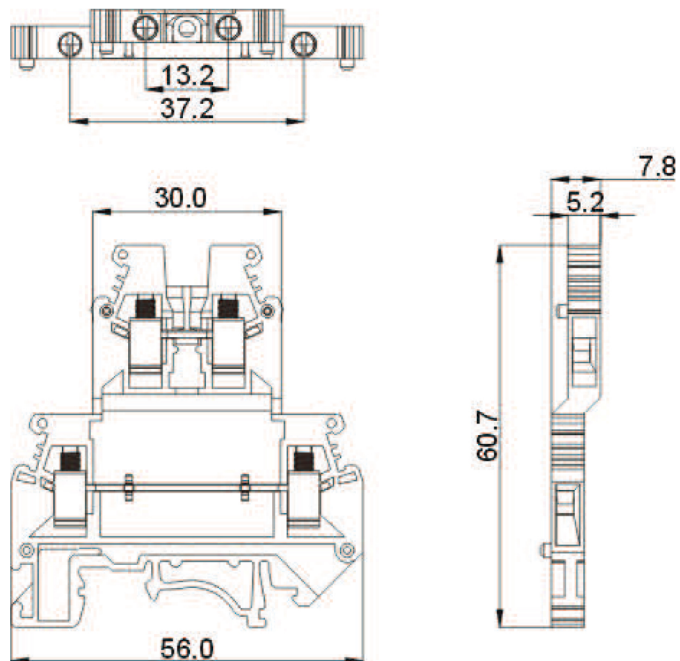
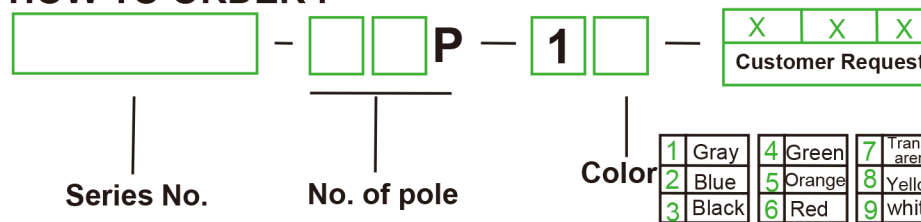


Approval		
Electrical		
Standard	<b>UL</b>	<b>IEC</b>
Rated voltage	300V	500V
Rated current	20A	24A
Wire size	24-12AWG	0.2-2.5mm <sup>2</sup>
T/W/End plate		5.2/56/2.6mm
Height(NS35:7.5/NS35:15/NS32)		62/69.5/67mm
Rated surge voltage/Contamination class		6KV/3
Stripping length		8mm
Screw thread/Tightening torque		M3/0.5N.m/4.5Lb-in
Internal cylindrical gage		A3
Insulating material/Inflammability class		PAV-0



### HOW TO ORDER :



	<b>China · Kang Wei electronics co., LTD</b>
	<b>NAME</b> <span style="font-size: 1.5em;"><b>UKK 2.5</b></span>