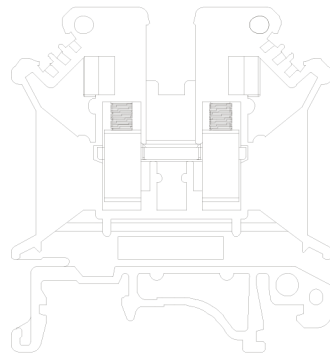
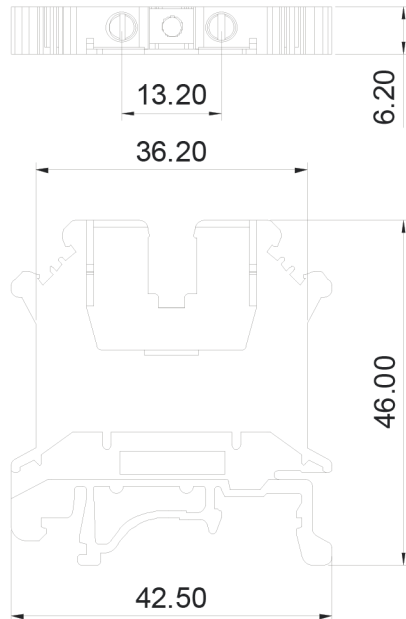


Approval	c us	
Capability		
Standard	UL	IEC
Rated Voltage	600V	800V
Rated Current	30A	32A
Wire size	24-10AWG	0.2-4.0mm ²
T/W/End plate		6.2/42.5/1.6mm
Height(mm)(NS35:7.5/NS35:15/NS32)		47/54.5/52mm
Rated surge voltage/Contamination Class		8KV/3
Stripping length		8mm
Screw thread/Tightening torque		M3/0.5N.m/4.5Lb-in
Internal cylindrical gage		A4
Insulating Material/Inflammability class		PAV-0



HOW TO ORDER :

- P - 1 -

Series No. No. of pole Color **Customer Request**

1 Gray	4 Green	7 Transp-arent
2 Blue	5 Orange	8 Yellow
3 Black	6 Red	9 white

	China · Kang Wei electronics co., LTD
	NAME UK5N