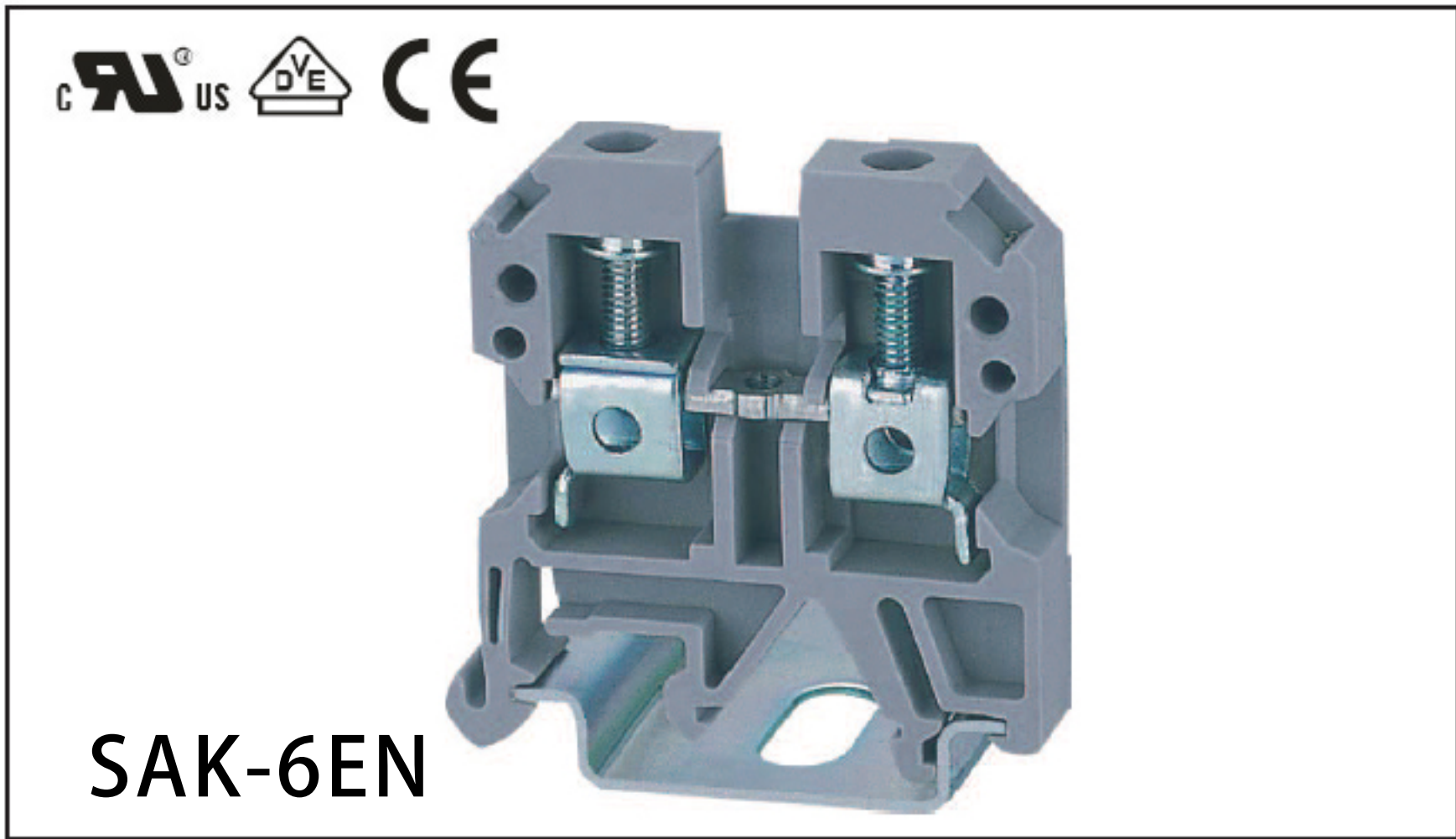
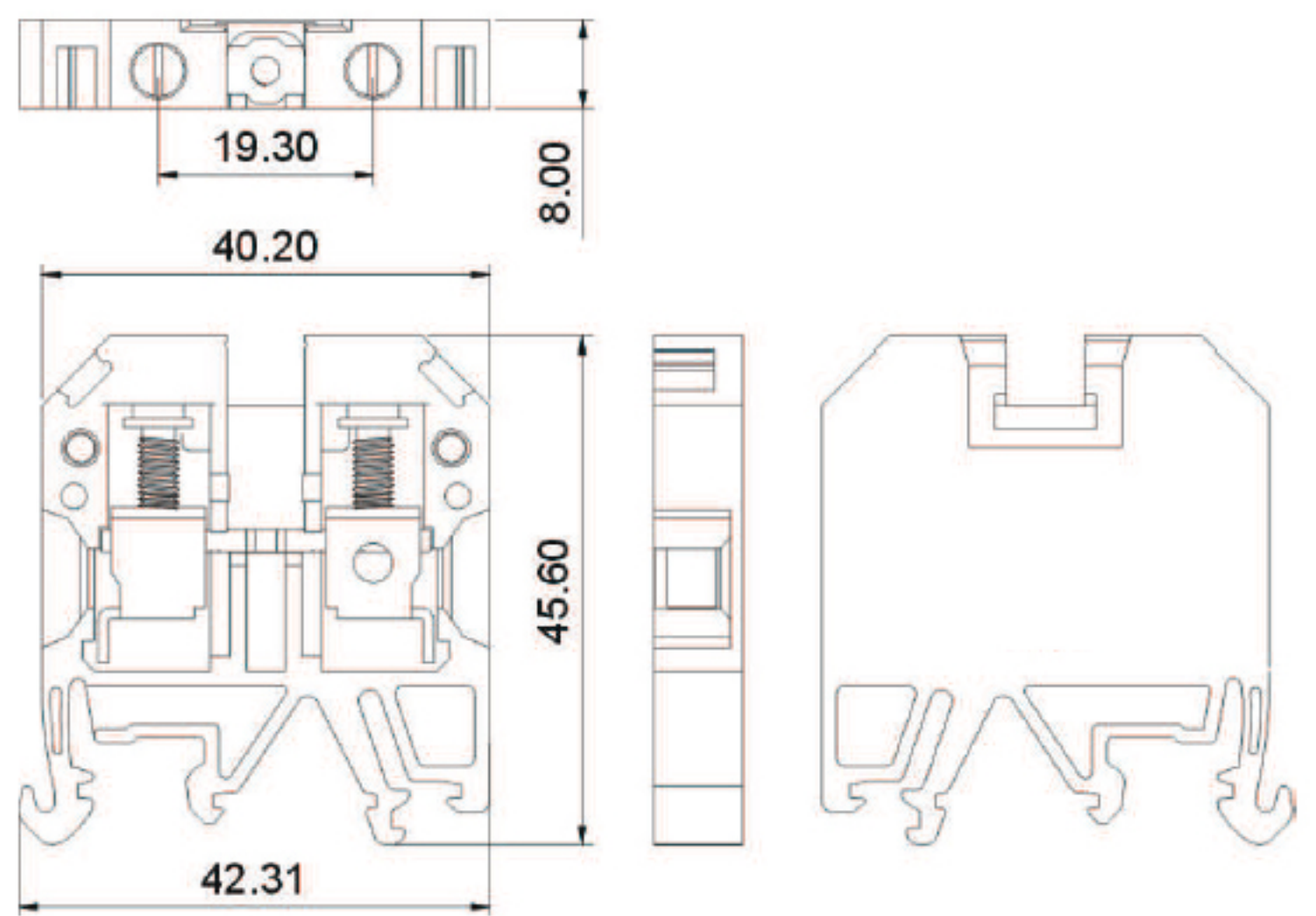




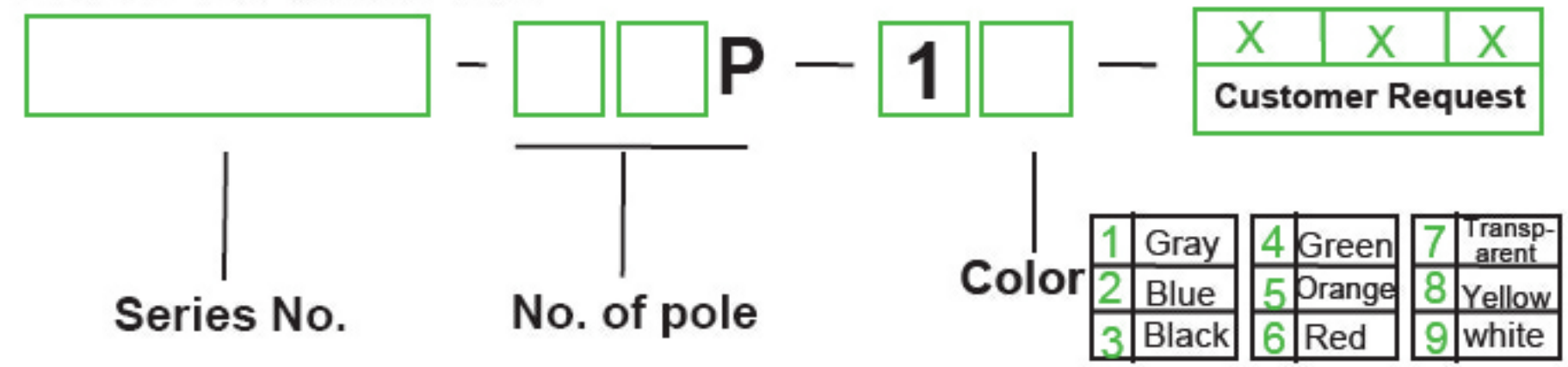
China · Kang Wei electronics co., LTD Product Specification



Approval		
Electrical Standard	UL	IEC
Voltage	600V	800V
Current	3A	41A
Wire size	22-8AWG	0.5-6.0mm ²
T/W/End plate	8/42/1.5mm	
Height(NS35:7.5/NS35:15/NS32)	47.5/55/47.5mm	
Rated surge voltage/Contamination class	8KV/3	
Stripping length	10mm	
Screw thread / Tightening torque	M3.5/0.8N.m/7.1Lb-in	
Insulating material/Inflammability class	PAV-0	



HOW TO ORDER :



	China · Kang Wei electronics co., LTD
	NAME SAK-6EN