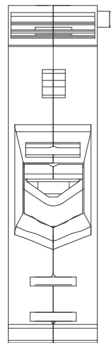
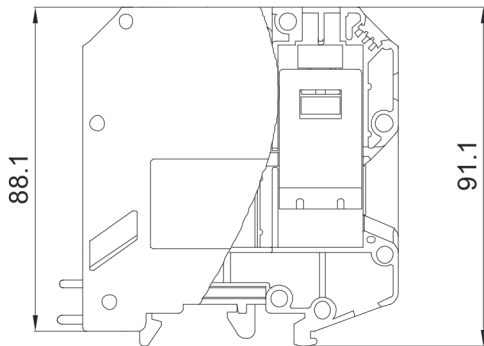
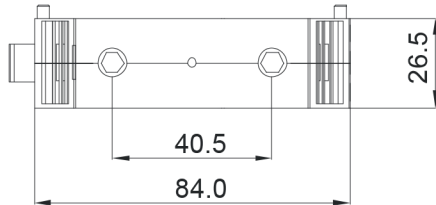


Approval		
Capability		
Standard	UL	IEC
Rated Voltage	726V	1000V
Rated Current	216A	232A
Wire size	4-3/0AWG	35-95mm ²
T/W/End plate	25/83/-mm	
Height(mm)(NS35:7.5/NS35:15/NS32)	-/97.5/95.5mm	
Rated surge voltage/Contamination Class	8KV/3	
Stripping length	33mm	
Screw thread/Tightening torque	M8/3.5N.m/31Lb-in	
Internal cylindrical gage	B12	
Insulating Material/Inflammability class	PA/V-0	



HOW TO ORDER :

 - **P** - 1 - XXX
Customer Request

1	Gray	4	Green	7	Transp-arent
2	Blue	5	Orange	8	Yellow
3	Black	6	Red	9	white

Series No. **No. of pole** **Color**

 mm (INCH)	 China · Kang Wei electronics co., LTD
 THIROANGLE PROJECTION	NAME UK95N