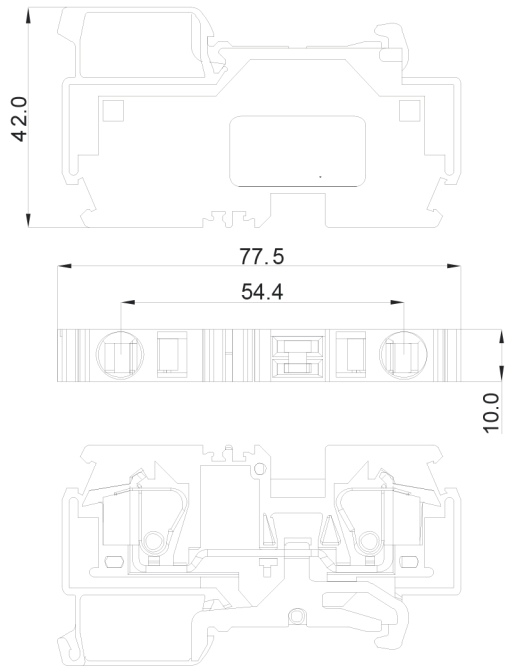
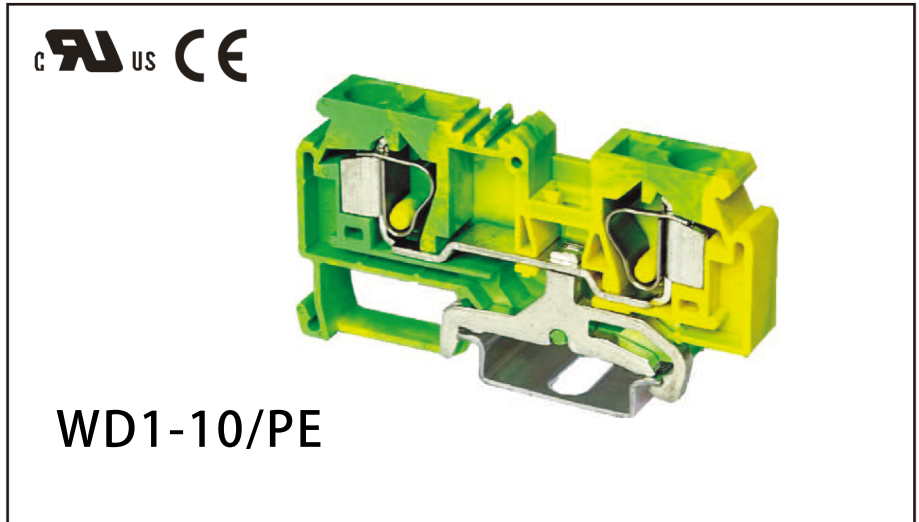




China · Kang Wei electronics co., LTD Product Specification



Approval	US	
Electrical		
Standard	UL	IEC
Rated voltage	-	-
Rated current	-	-
Wire size	24-8AWG	0.2-10mm ²
T/W/End plate		10/78/2.5mm
Height(NS35:7.5/NS35:15)		42.5/50mm
Stripping length		18mm
Insulating material/Inflammability class		PAV-0

HOW TO ORDER :

- P - -

X	X	X
Customer Request		

Series No. No. of pole Color

1 Gray	4 Green	7 Transp-arent
2 Blue	5 Orange	8 Yellow
3 Black	6 Red	9 white

 mm (INCH)	 China · Kang Wei electronics co., LTD
 THROANGLE PROJECTION	NAME WD1-10/PE