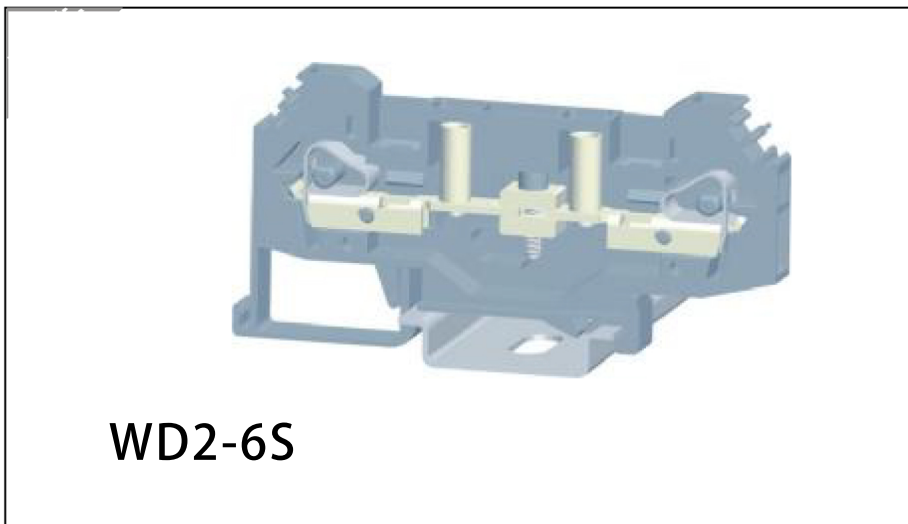




China · Kang Wei electronics co., LTD

Product Specification



Approval		
Electrical	UL	IEC
Standard	300V	400V
Rated voltage	30A	41A
Rated current	Wire size	0.2-6.0mm ²
Wire size	24-10AWG	
T/W/End plate	8/87.5/2.5mm	
Height(NS35:7.5/NS35:15)	44.5/52mm	
Rated surge voltage/contamination class	6KV/3	
Stripping length	12mm	
Insulating material/Inflammability class	PAV-0	

HOW TO ORDER :

-

P -
 1
 -

X	X	X
Customer Request		

Series No.

No. of pole

Color

1	Gray	4	Green	7	Transp-arent
2	Blue	5	Orange	8	Yellow
3	Black	6	Red	9	white

	China · Kang Wei electronics co., LTD
 THIRD ANGLE PROJECTION	NAME WD2-6S