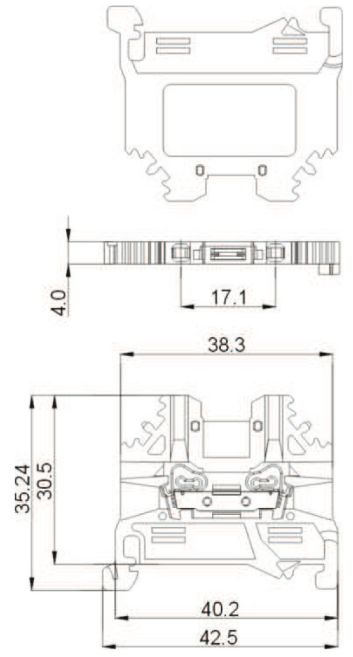


| Approval | CE | |
|--|-----------|------------------------|
| Electrical | UL | IEC |
| Standard | 600V | 800V |
| Rated voltage | 10A | 17.5A |
| Rated current | 28-16AWG | 0.2-1.5mm ² |
| Wire size | | |
| T/W/End plate | | 4/42.5/2.5mm |
| Height(NS35:7.5/NS35:15) | | 38/45.5mm |
| Rated surge voltage/contamination class | | 8KV/3 |
| Stripping length | | 10mm |
| Insulating material/Inflammability class | | PAV-0 |



HOW TO ORDER :

- P - -

| | | |
|------------------|---|---|
| X | X | X |
| Customer Request | | |

Series No. No. of pole Color

| | | |
|---------|----------|----------------|
| 1 Gray | 4 Green | 7 Transp-arent |
| 2 Blue | 5 Orange | 8 Yellow |
| 3 Black | 6 Red | 9 white |

| | |
|---|---|
|  |  China · Kang Wei electronics co., LTD |
|  THROANGLE PROJECTION | NAME WD2-1.5 |