

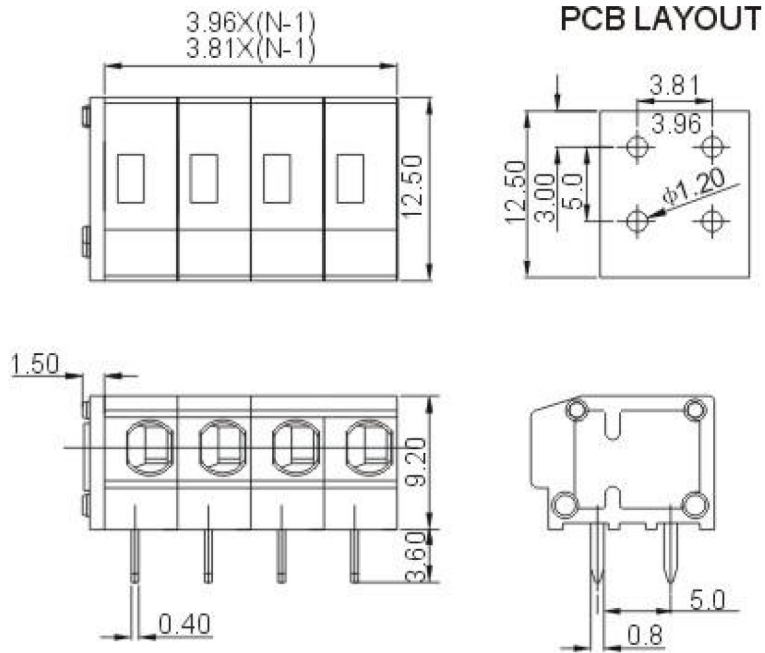
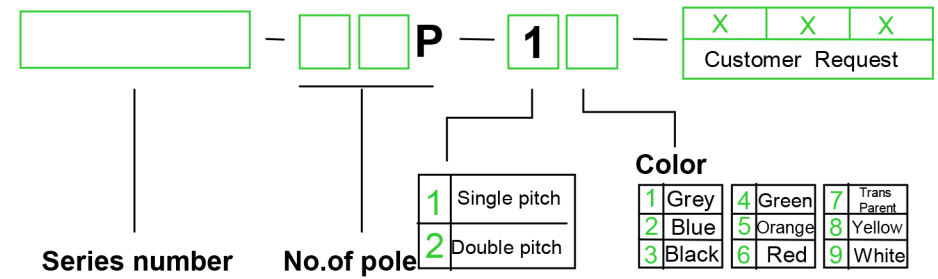


<b>Approval</b>	 	
<b>Electrical</b>		
<b>Standard</b>	<b>UL</b>	<b>IEC</b>
Rated voltage	300V	250V
Rated current	5A	10A
Wire range	20-18AWG	1.5mm <sup>2</sup>
Withstanding voltage	AC2000V/1Min	
<b>Mechanical</b>		
Ambient temperature	-40℃~+105℃	
Strip length	9-10mm	
<b>Dimensions</b>		
Pitch	3.81mm(.150" ) 3.96mm (.156" )	
Poles	1P-XXP	
<b>Material</b>		
Housing	PA66,UL94V-0	
Pin header	Phosphor bronze,Tin plated	
Wire guard	Stainless steel	



### HOW TO ORDER :



mm (INCH)	 China · Kang Wei electronics co., LTD <b>NAME</b> KV235B-3.81/3.96
 THIRD ANGLE PROJECTION	