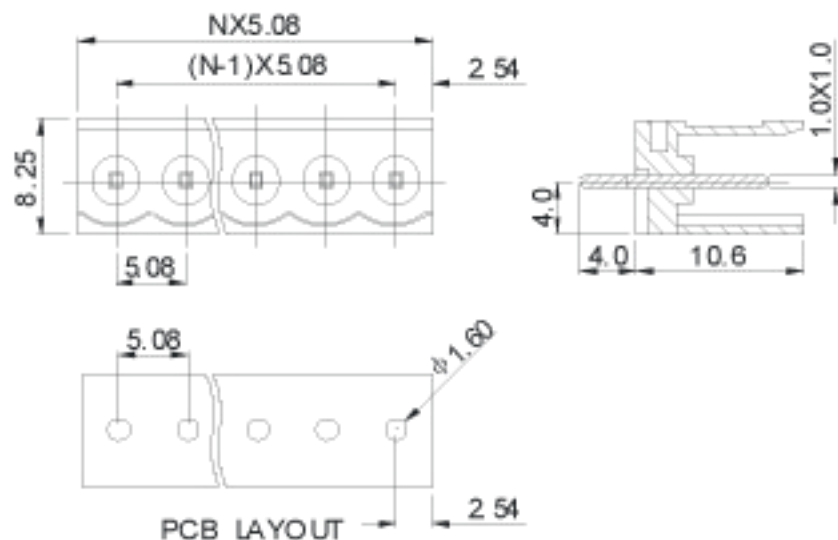


APPROVAL		
Electrical		
Standard	UL	IEC
Rated voltage	150V	320V
Rated current	12A	20A
Withstanding voltage	AC2500V/1Min	
Mechanical		
Ambient temperature	-40°C ~ +105°C	
Dimensions		
Pitch	5.08mm(.200")	
Poles	2P-24P	
Material		
Housing	PA66,UL94V-0	
Pin header	Brass, Tin plated	



HOW TO ORDER :

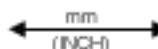


- P - 1 - X X X
 Customer Request

Series number

No. of pole

Color

1 Grey	4 Green	7 Iron Paint
2 Blue	5 Orange	8 Yellow
3 Black	6 Red	9 White

 mm (INCH)	 China · Kang Wei electronics co., LTD
 TRIANGLE ORIENTATION	NAME HT508V-5.08