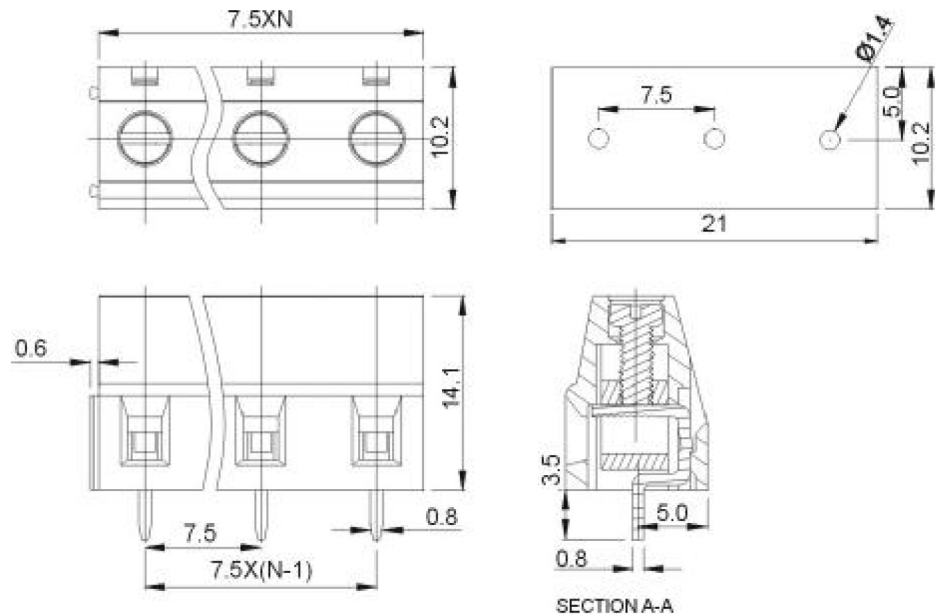
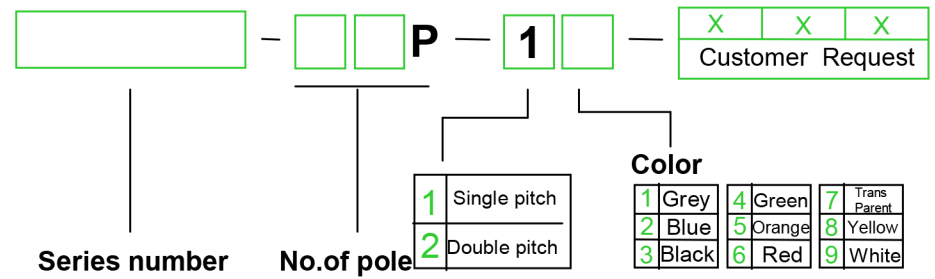


APPROVAL		
Electrical	UL	IEC
Standard	UL	IEC
Rated voltage	300V	450V
Rated current	10A	18A
Wire range	24-12AWG	2.5mm ²
Withstanding voltage	AC2500V/1Min	

Mechanical	
Torque	0.4Nm(3.5Lb-In)
Ambient temperature	-40°C~+105 °C
Strip length	7mm
Dimensions	
pitch	7.5mm(.295")
Poles	2P,3P-24P

Material	
Housing	PA66,UL94V-0
Screws	M2.5,Steel, Cr ³⁺ Znplated
Pin header	Brass,Tin-plated
Cage	Brass,Ni-plated

HOW TO ORDER :



	China · Kang Wei electronics co., LTD
	NAME KV128-7.5