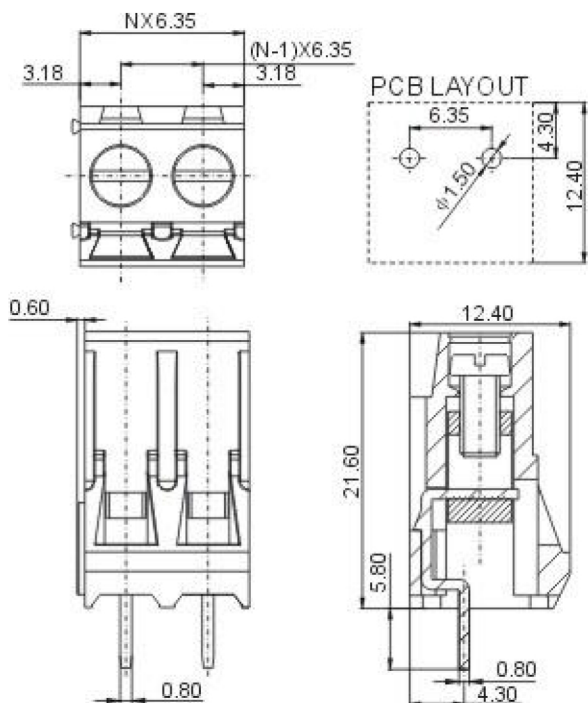




**kv635-6.35**



|                      |   |   |
|----------------------|---|---|
| <b>APPROVAL</b>      |  |  |
| <b>Electrical</b>    |   |   |
| Standard             | <b>UL</b>   | <b>IEC</b>  |
| Rated voltage        | 300V  | 450V  |
| Rated current        | 30A   | 32A   |
| Wire range           | 26-10AWG  | 4.0mm <sup>2</sup>  |
| Withstanding voltage | AC2500V/1Min  |   |

|                     |                 |
|---------------------|-----------------|
| <b>Mechanical</b>   |                 |
| Torque              | 0.5Nm(4.4Lb-In) |
| Ambient temperature | -40°C~+105 °C   |
| Strip length        | 8-9mm           |
| <b>Dimensions</b>   |                 |
| pitch               | 6.35mm(.250" )  |
| Poles               | 2P,3P-24P       |

|                 |                                      |
|-----------------|--------------------------------------|
| <b>Material</b> |                                      |
| Housing         | PA66,UL94V-0                         |
| Screws          | M3,Steel, Cr <sup>3+</sup> Znplated, |
| Pin header      | BrassTin-plated                      |
| Cage            | Brass,Ni-plated                      |

### HOW TO ORDER :

