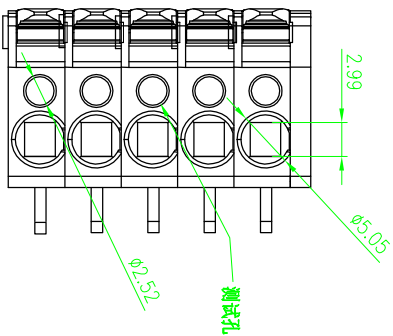
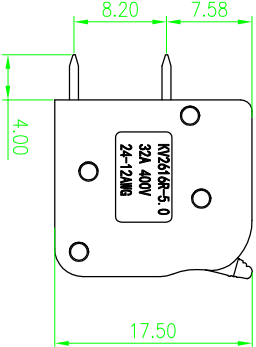
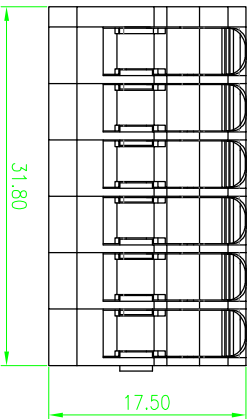
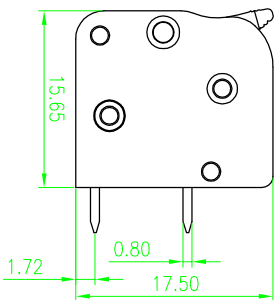
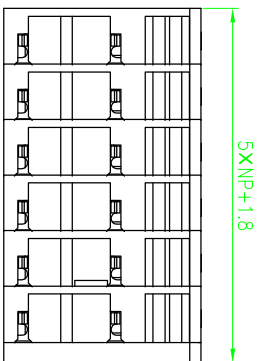
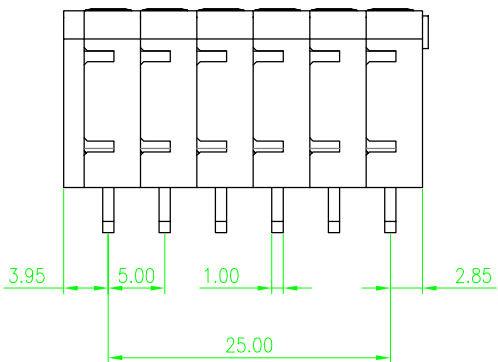


公差/General Tolerances(mm)		0	>3	>6	>10	>18	>30	>50	>80	>120	>180	>250	>315	>400	>500	0.1/10														
~	3	~	6	~	10	~	18	~	30	~	50	~	80	~	120	~	180	~	250	~	315	~	400	~	500	~	>500	~	±2'	
±0.12	±0.18	±0.22	±0.26	±0.31	±0.37	±0.45	±0.57	±0.70	±0.80	±0.93	±1.05	±1.15	±1.60	±2.20	±2.50	±3.0	±4.0	±5.0	±6.3	±8.0	±10.0	±12.5	±16.0	±20.0	±25.0	±31.5	±40.0	±50.0	±63.0	±80.0



UL 标准/UL Standard:	B	C	D
额定电压/电流/Rated Voltage(V)/Current(A)	400/20	/	400/10
IEC 标准/IEC Standard:			
过压类别/Overvoltage Category/污秽等级/Pollution Degree	III/3	III/2	II/2
额定电压/电流/Rated Voltage(V)/Current(A)	400/32	400/32	630/32
额定脉冲电压(KV)/Rate Impulse Voltage(KV)	4	4	4
线径范围(硬线和软线)/Wire Range(rigid and flexible)(mm ² /AWG)	0.2~4/24~12		
间距/Pitch(mm)/线数范围/Poles	5.0/N=01~12P		
剥线长度/Stripping length(mm)	9-11		
使用温度范围/Operating temperature(°C)	-40~+105		
符合环保要求/Conform to RoHS	Yes		

MATERIAL: /

SURFACE: /

MAT NO.: /

STATUS: /

APPD:lan CHH 2023.12.14

CHKD:Yu JZh 2023.12.14

DRAFT:CENGMZ_2023.12.14

康伟电子有限公司
KANGWEI
Kangwei Electronics Co., Ltd

KV2616R-5.0

DRAWING NO.: KV2616R-5.0

TYPE: CUSTOMER_DRAWING

SIZE: A4

SCALE: 2:1

SCALE: 2:1

SHEET 1/1

REV TO-1