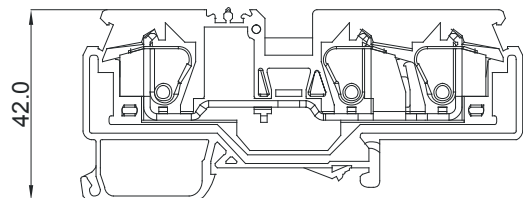
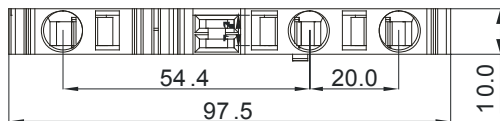
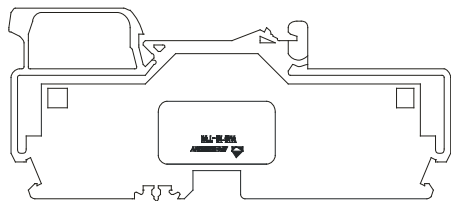
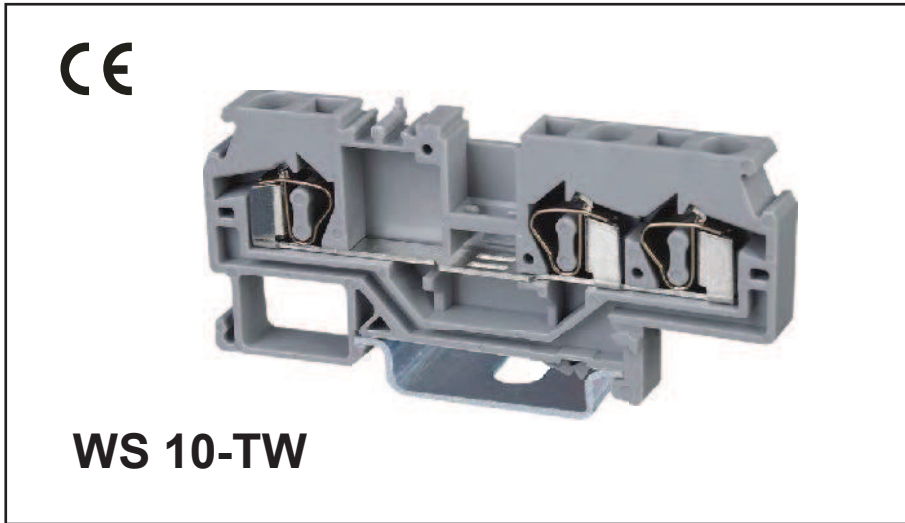




DEGSON ELECTRONICS CO., LTD.

Product Specification



Approval		CE	
Electrical		UL	IEC
Standard		600V	800V
Rated voltage		50A	57A
Rated current		24-8AWG	0.2-10mm ²
Wire size		10/97.5/2.5mm	
T/W/End plate		42.5/50mm	
Height(NS35:7.5/NS35:15)		8KV/3	
Rated surge voltage/contamination class		18mm	
Stripping length		PAV-0	
Insulating material/Inflammability class			
Specification		Model	Pieces
(1)Terminal block		WS 10-TW	25
(2)Cover		D-WS 10-TW	100
(3)Adjacent jumper		WFA-10	100
(4)Alternate jumper		WFB-10	100
(5)Staggered jumper			
	1-2 1-5 1-3 1-6 1-4 1-8		
(6)Insulation stop			
(7)Protective warning marker		EEA-10	50
(8)Test plug adapter			
(9)Test plug			
(9)Zack strip		ZB10	200

HOW TO ORDER :

- **P** - -

X	X	X
Customer Request		

Series No. No. of pole Color

1	Gray	4	Green	7	Trans-parent
2	Blue	5	Orange	8	Yellow
3	Black	6	Red	9	white

	DEGSON ELECTRONICS CO., LTD.
	NAME WS 10-TW