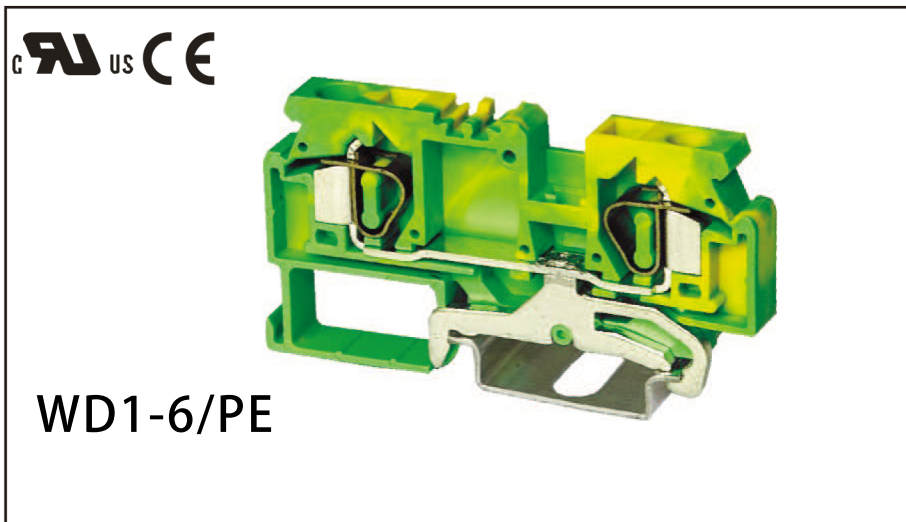
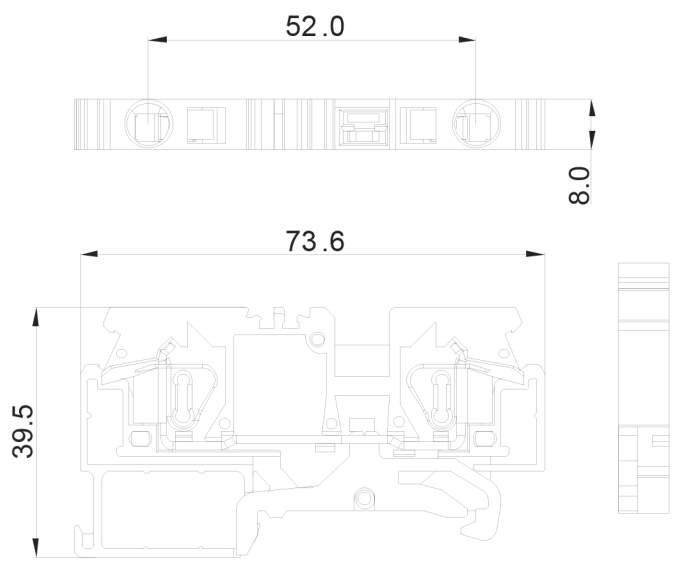




China · Kang Wei electronics co., LTD Product Specification



Approval	c us	CE
Electrical	UL	IEC
Standard	-	-
Rated voltage	-	-
Rated current	-	-
Wire size	24-10AWG	0.2-6.0mm ²
T/W/End plate	-	8/74.5/2.5mm
Height(NS35:7.5/NS35:15)	-	40/47.5mm
Stripping length	-	12mm
Insulating material/Inflammability class	-	PAV-0



HOW TO ORDER :

- **P** - -

X	X	X
Customer Request		

Series No. No. of pole Color

1 Gray	4 Green	7 Transp-arent
2 Blue	5 Orange	8 Yellow
3 Black	6 Red	9 white

 mm (INCH)	 China · Kang Wei electronics co., LTD
 THROANGLE PROJECTION	NAME WD1-6/PE