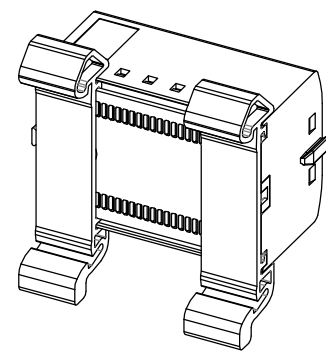
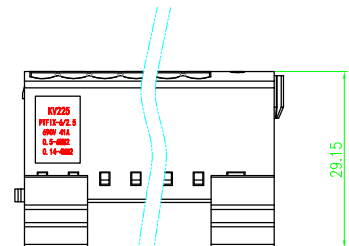
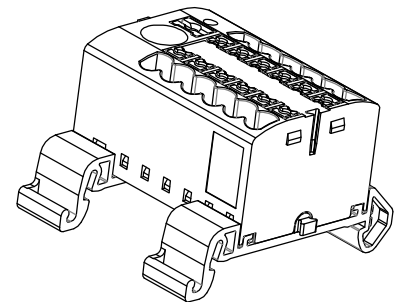
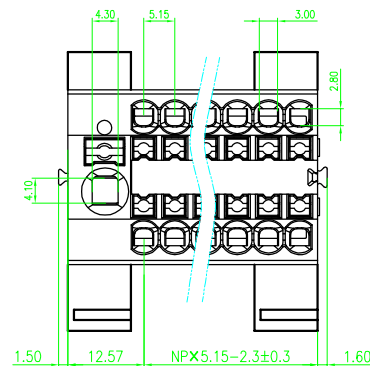
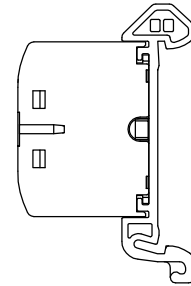
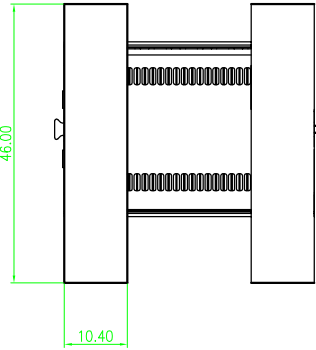
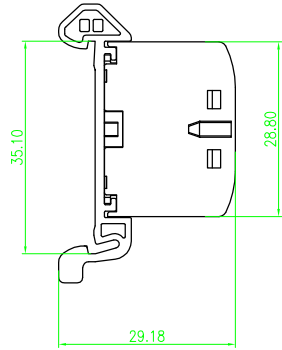


未注公差/General tolerances(mm)														
0	>3	>6	>10	>18	>30	>50	>80	>120	>180	>250	>315	>400	>500	0.1/10
~3	~6	~10	~18	~30	~50	~80	~120	~180	~250	~315	~400	~500		±2'
±0.12	±0.18	±0.22	±0.26	±0.31	±0.37	±0.57	±0.80	±0.93	±1.05	±1.15	±1.60	±2.20	±2.50	



4	弹片	301不锈钢	/
3	联络件	紫铜	Sn Plated
2	按钮	PA66	UL94V-0
1	壳体	PA66	UL94V-0
ITEM	NAME OF PART	MATERIAL	NOTES
JL 标准/UL Standard:		B	C
额定电压/电流/Rated Voltage(V)/Current(A)		690/24	/ 690/24
IEC 标准/IEC Standard:			
过压类别/Overvoltage Category/污染等级/Pollution Degree		III/3	III/2 II/2
额定电压/电流/Rated Voltage(V)/Current(A)		/	690/41 /
额定脉冲电压(KV)/Rate Impulse Voltage(KV)		/	4 /
线径范围分线、主线		0.2-4/、0.5-6/10	
间距/Pitch(mm)/线数范围/Poles		5.15/N=02~12P	
剥线长度/Stripping length(mm)		8-10	
使用温度范围/Operating temperature(°C)		-40~+105	
符合RoHS环保要求/Conform to RoHS		Yes	

MATERIAL:	/	SURFACE:	/
MAT NO.:	/	<b>康伟电子有限公司</b> KANGWEI WIELECTRONICS CO.,LTD	NAME: KV225G
STATUS:	/		
APPD:	2023.04.08	DRAWING NO.:	KV225G-5.15
CHKD:	2023.04.08	REV	T0-1
DRFT:	2023.8.03	TYPE:	CUSTOMER_DRAWING
SIZE:	A4	SCALE:	2:1
		SHEET	1/1

REV	ECN	DESCRIPTION	DRFT	DATE