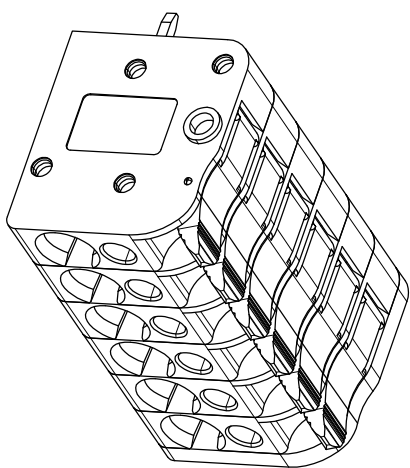
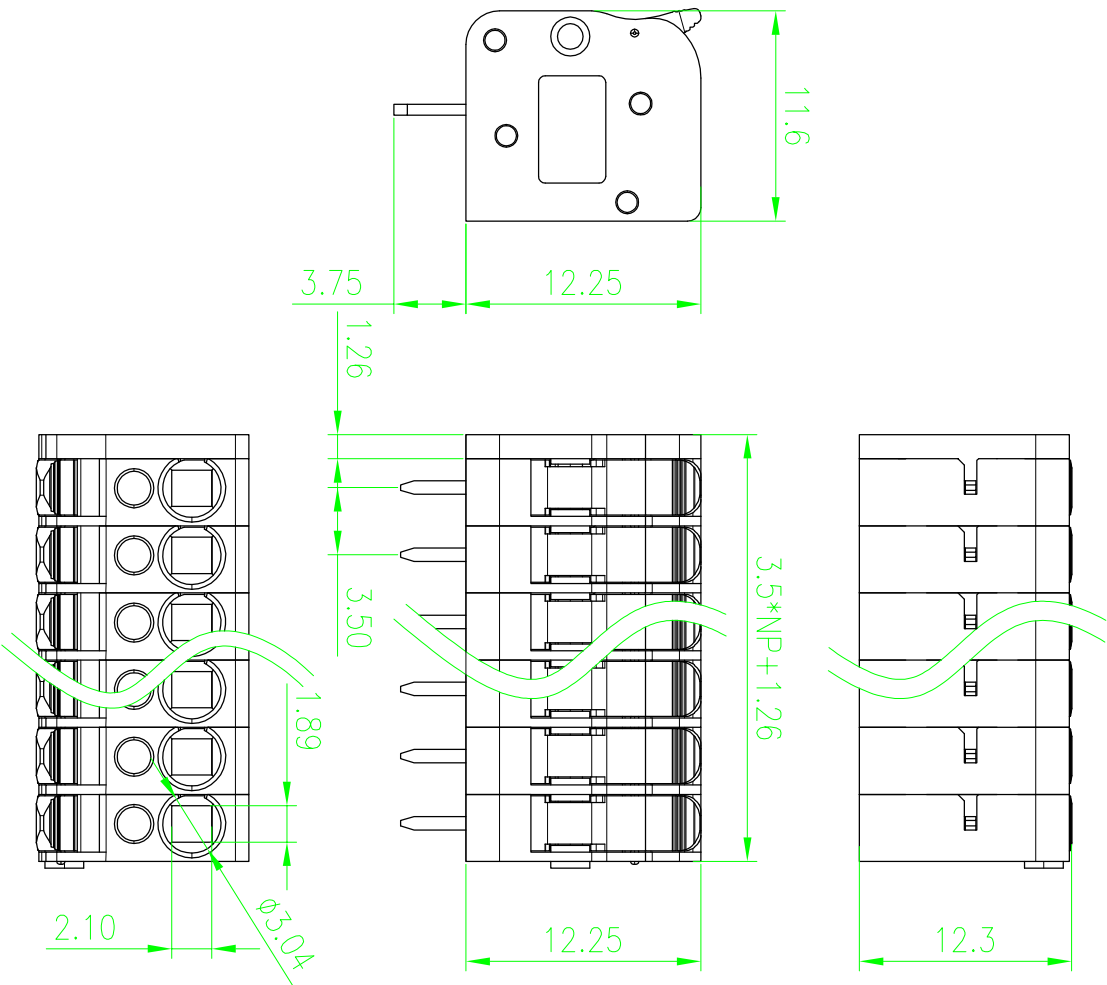


公差表/General Tolerances(mm)		0.1/10
0	>3	±2
~	>6	~
3	~10	~
6	~18	~
~	>18	~
~	>30	~
~	>50	~
~	>80	~
~	>120	~
~	>180	~
~	>250	~
~	>315	~
~	>400	~
~	>500	~
~	>630	~
~	>800	~
~	>1000	~
±0.12	±0.18	±0.22
±0.26	±0.31	±0.37
±0.45	±0.57	±0.80
±0.93	±1.05	±1.15
±1.60	±2.20	±2.50



UL 标准/UL Standard:	B	C	D
额定电压/电流/Rated Voltage(V)/Current(A)	400/10	400/10	400/10
EC 标准/EC Standard:			
过压类别/Overvoltage Category/等级等	III/3	III/2	II/2
额定电压/电流/Rated Voltage(V)/Current(A)	400/15	400/15	400/15
额定脉冲电压(kV)/Rate Impulse Voltage(kV)	4	4	4
额定脉冲电压(kV)/Rate Impulse Voltage(kV)	0.2~4	24~12	
可距/Pitch(mm)/线数范围/Poles	3.5	N=01~12P	
剥线长度/Stripping length(mm)	9-11		
使用温度范围/Operating temperature(°C)	-40~+105		
符合RoHS环保要求/Conform to RoHS	Yes		

SURFACE:

康伟电子有限公司

KANGWEI Kangwei Electronics Co., Ltd

MATERIAL: /  
 MAT NO.: /  
 STATUS: /  
 APPD: Ian CHH 2024.07.14  
 CHKD: Yu JZh 2024.07.14  
 DRFT: CENGMZ\_2024.07.14

KV2616V-3.5

DRAWING NO.: KV2616V-3.5

TYPE: CUSTOMER\_DRAWING

SIZE: A4

SCALE: 2:1

SHEET 1/1

REV TO-1

1